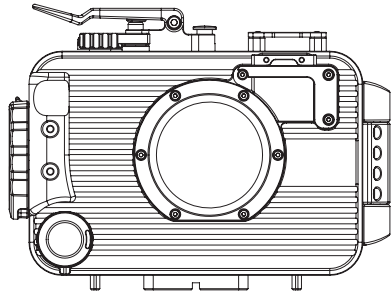


# WEEFINE

## WFH TG-6

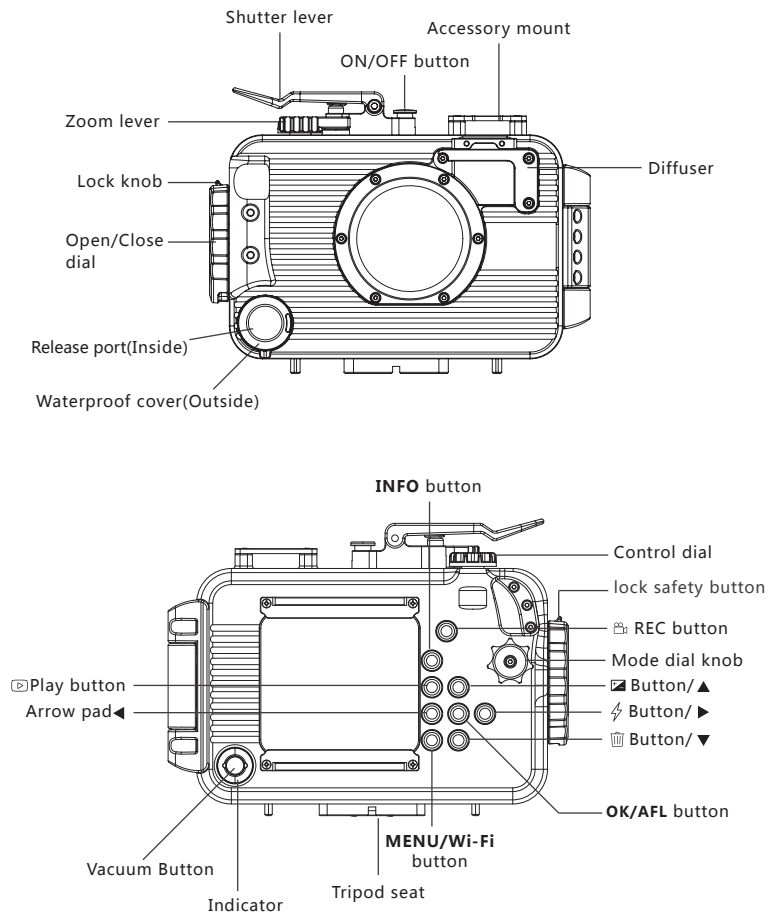


### Waterproof Case

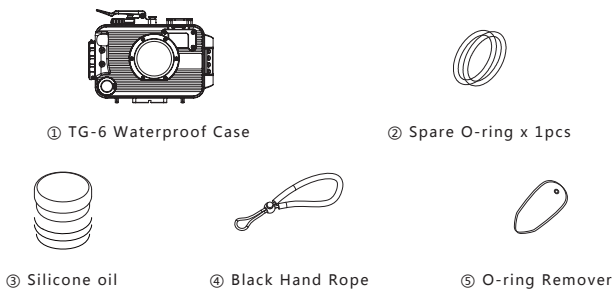
#### USER'S GUIDE

Please read the manually carefully before using the case

### IDENTIFICATION OF PARTS

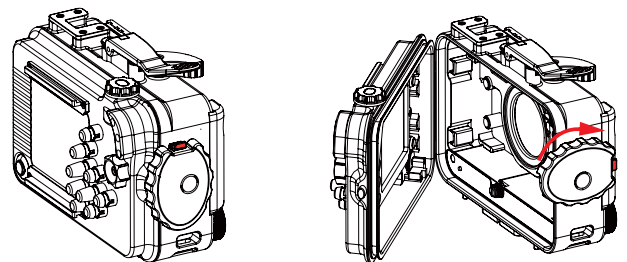


### PACKAGE CONTENTS



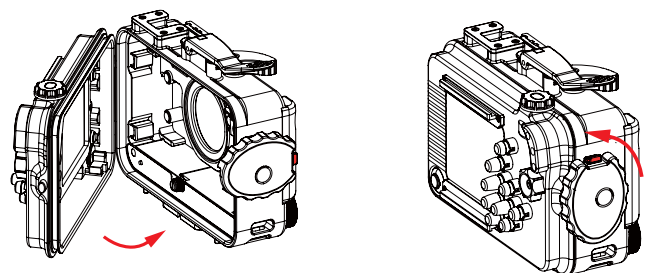
### OPENING AND LOCKING THE CASE

To open the case:



1. Press the case lock safety button.
2. Turn the housing lock clockwise for 90°, until the lock reaches the "Open" position as shown .

To lock the case:

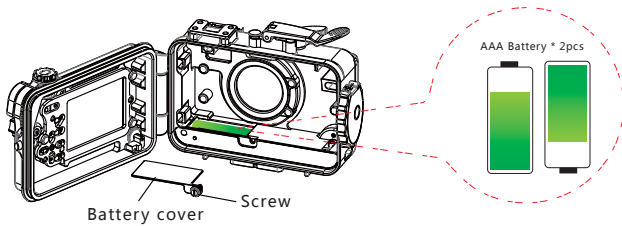


1. Close the case while the housing is in the "Open" position.
2. Turn the case lock anti-clockwise for 90°, until the lock reaches the "lock" position as shown.

### SPECIFICATIONS

Housing body	Aluminium alloy
Surface treatment	Hard anodised
Display window	Abrasion resistant polycarbonate
Dimensions	161.4mm*74.2mm**121.2mm
Weight	685g (land)
Buoyancy	Slightly negative
Depth rating	100 metres
Compatible cameras	Olympus Tough TG-5/TG-6

## BATTERY APPLICATION



1. Turn the screw, open the battery cover, and install two AAA batteries (make sure the polarity battery must match the polarity of the diving light contacts.)
2. Install the battery cover and tighten the screws.

\* please ensure adequate power. Replace the battery after about 30 times of electric pumping

## ADVANCE CHECK OF THE CASE

### 1. Advance check before use

This Case has been the subject of thorough quality control for the parts during the manufacturing process and thorough function inspections during the assembly. In addition, a water pressure test is performed with water pressure tester for all products to confirm that the performance conforms to the specifications.

However, depending on the carrying and storage conditions, the maintenance status, etc., the waterproof function may be damaged, Before using, always perform the following advance checks.

\* A water-tight test without the camera inside the housing is highly recommended

④

### • Using the vacuum system

1. before use, Open the waterproof cover and then press the vacuum system switch for air extraction, When the indicator will flash alternately from red to green, The green light will be on normally, which means the pumping is completed, Then close the waterproof cover tightly,

2. If the Green light of indicator flashing after 30 minutes, The waterproof case can be used normally.

- The red light is flashing before pumping
- The red and green lights flash alternately during pumping
- The green light is flashing after pumping

3. After pumping, if the red and green flashing state appears again, it shows bad sealing of the waterproof case, and should be checked to use.

4. After use, before opening the waterproof case, it is necessary to unscrew the waterproof cover and press the exhaust valve to open the waterproof case with air injection.

### CAUTION:

If the advance test shows water leakage with normal handling, stop using the Case and contact your dealer.

## CHECK THE DIGITAL CAMERA

Check the digital camera before loading it in the Case.

### 1. Battery Confirmation

The flash is used very frequently during underwater shooting.

Before diving, make sure that you have enough remaining battery power.

### 2. Confirmation of the remaining number of pictures to be taken.

Confirm that the image storage has sufficient remaining number of pictures to be taken.

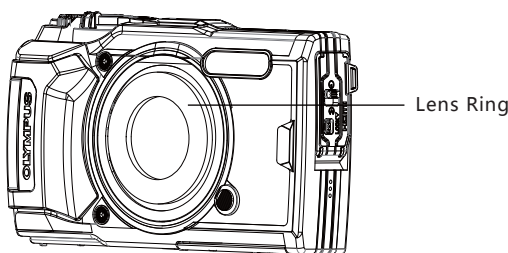
### 3. Remove the hand strap from the digital camera.

When a digital camera is loaded without removing the strap, the strap get caught between the Case lids and may cause water leakage.

### 4. Remove the lens ring from the digital camera then put it into the underwater housing.

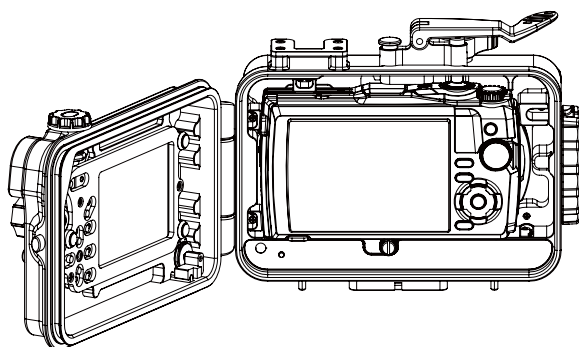
⑤

## TO INSTALL THE CAMERA INTO THE CASE



Camera

\*\* The camera lens ring must be removed before installing the case



1. Place the camera inside the case as shown.
2. Close the housing and confirm that all the controls of the housing are correctly engaged.

⑥

## GENERAL WARNINGS AND INSTRUCTIONS

\* Do not disassemble the case.

\* Do not leave the case exposed to a heat source or store it in a high temperature location. (e.g., in a locked car parked in the sun)

\* Remove the battery if the case will not be used for long periods of time. (e.g., between dive trips)

\* To avoid leaks the O-rings should be checked to ensure that they are free from any dirt, sand, hair and dust every time before you open and close the case. Use a soft cloth to the O-rings if required. The O-rings should also be carefully checked for cracks or blemishes. Gently and evenly apply a thin coat of grease to the entire O-rings regularly to prolong O-ring life. Be care not to scratch the O-rings surface. If cracks or blemishes occur, the rings should be replaced immediately.

\* Do not open the case when using in the water.

\* Wash the exterior of the case thoroughly with clean fresh water immediately after use. Soaking the case in fresh water will help to remove salt deposits prior to storage.

\* Please remove all water before opening the case. Allowing water to come in contact with the internal device may cause damage to the case.

\* Do not disassemble, modify, remanufacture, puncture or damage the case

## WARRANTY

The dealers provides a warranty against manufacturer defects for 1 year starting from the date of purchase. Manufacturer defects occurring within 15 days of the date of purchase will result in an exchange of product at the vendor. All other manufacturer defects occurring within 1 year of the purchase will be repaired at no cost. Proof of purchase is required for warranty support.

The warranty does not cover failures or defects resulting from misuse (e.g; modification; damage), natural disasters, or battery issues, including incorrect battery installation.

⑦